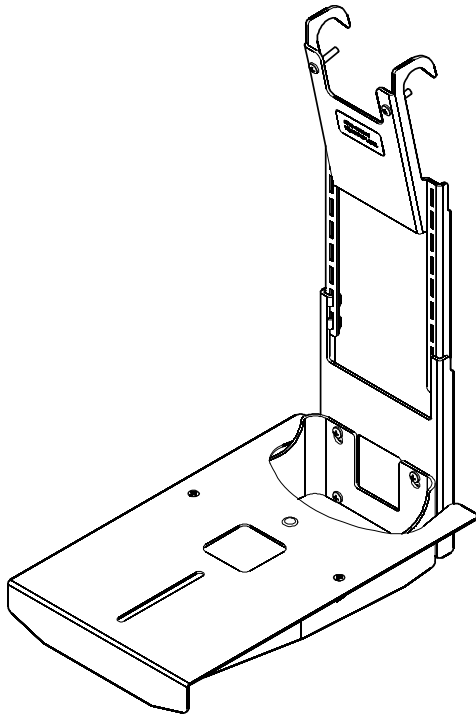
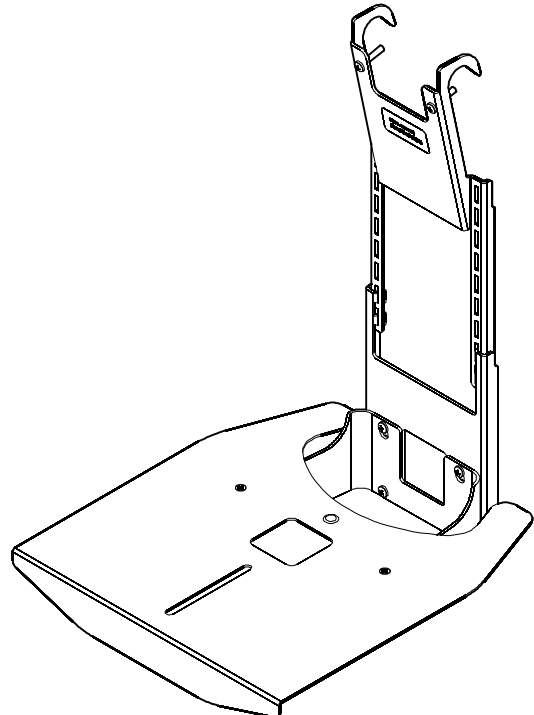

INSTALLATION INSTRUCTIONS



FVS100



FVS150

Lower Video Conference Camera Shelf

DISCLAIMER

Milestone AV Technologies and its affiliated corporations and subsidiaries (collectively "Milestone"), intend to make this manual accurate and complete. However, Milestone makes no claim that the information contained herein covers all details, conditions or variations, nor does it provide for every possible contingency in connection with the installation or use of this product. The information contained in this document is subject to change without notice or obligation of any kind. Milestone makes no representation of warranty, expressed or implied, regarding the information contained herein. Milestone assumes no responsibility for accuracy, completeness or sufficiency of the information contained in this document.

Chief® is a registered trademark of Milestone AV Technologies. All rights reserved.

! IMPORTANT SAFETY INSTRUCTIONS!

! WARNING: A WARNING alerts you to the possibility of serious injury or death if you do not follow the instructions.

! CAUTION: A CAUTION alerts you to the possibility of damage or destruction of equipment if you do not follow the corresponding instructions.

! WARNING: Failure to read, thoroughly understand, and follow all instructions can result in serious personal injury, damage to equipment, or voiding of factory warranty! It is the installer's responsibility to make sure all components are properly assembled and installed using the instructions provided.

! WARNING: Failure to provide adequate structural strength for this component can result in serious personal injury or damage to equipment! It is the installer's responsibility to make sure the structure to which this component is attached can support five times the combined weight of all equipment. Reinforce the structure as required before installing the component.





! WARNING: Exceeding the weight capacity can result in serious personal injury or damage to equipment! It is the installer's responsibility to make sure the combined weight of all components located on the FVS100/FVS150 does not exceed 10 lbs (4.5 kg).

! WARNING: RISK OF INJURY TO PERSONS! Do not use this mounting system to support video equipment such as televisions or computer monitors.

! WARNING: Do not use this product outdoors.

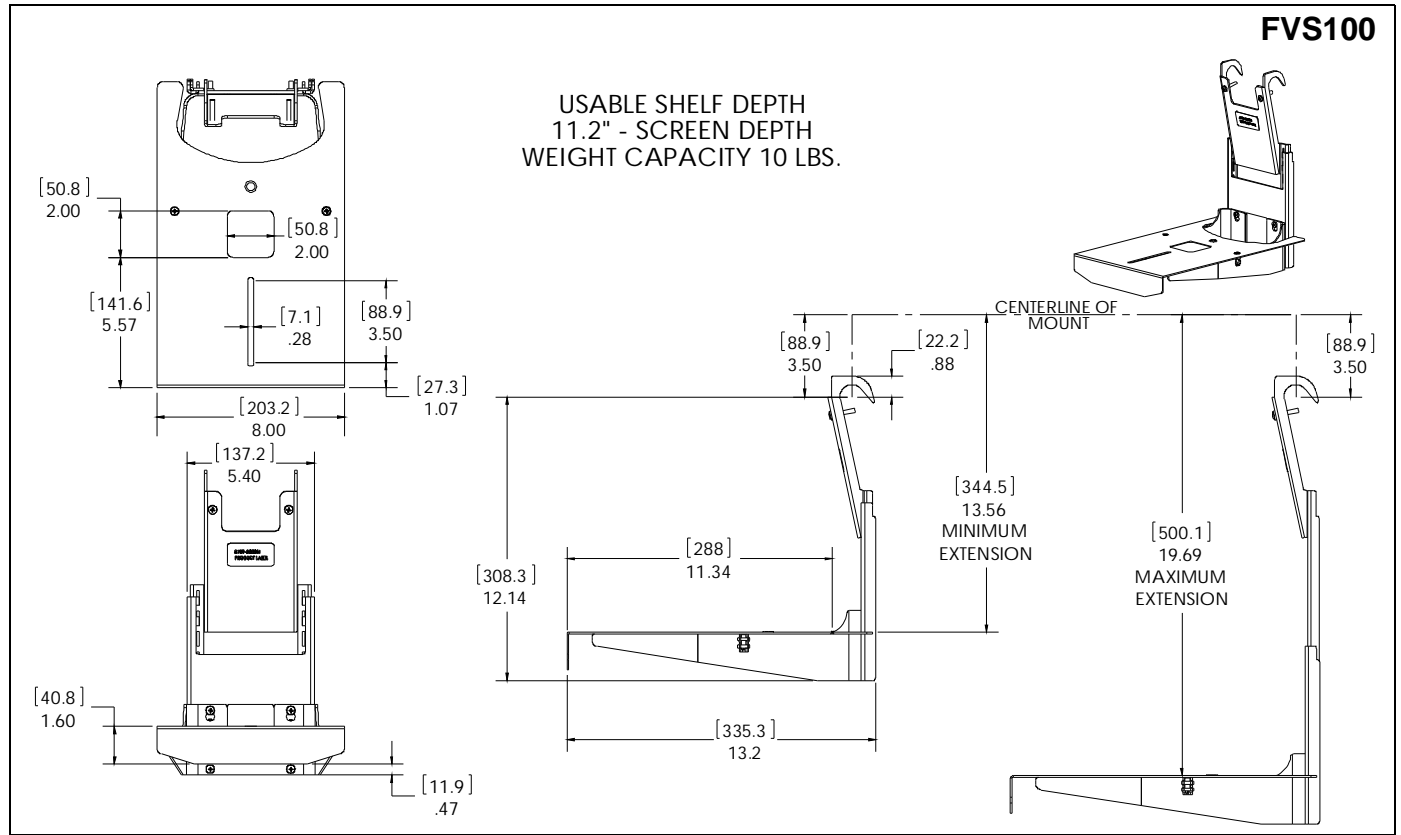
--SAVE THESE INSTRUCTIONS--

LEGEND

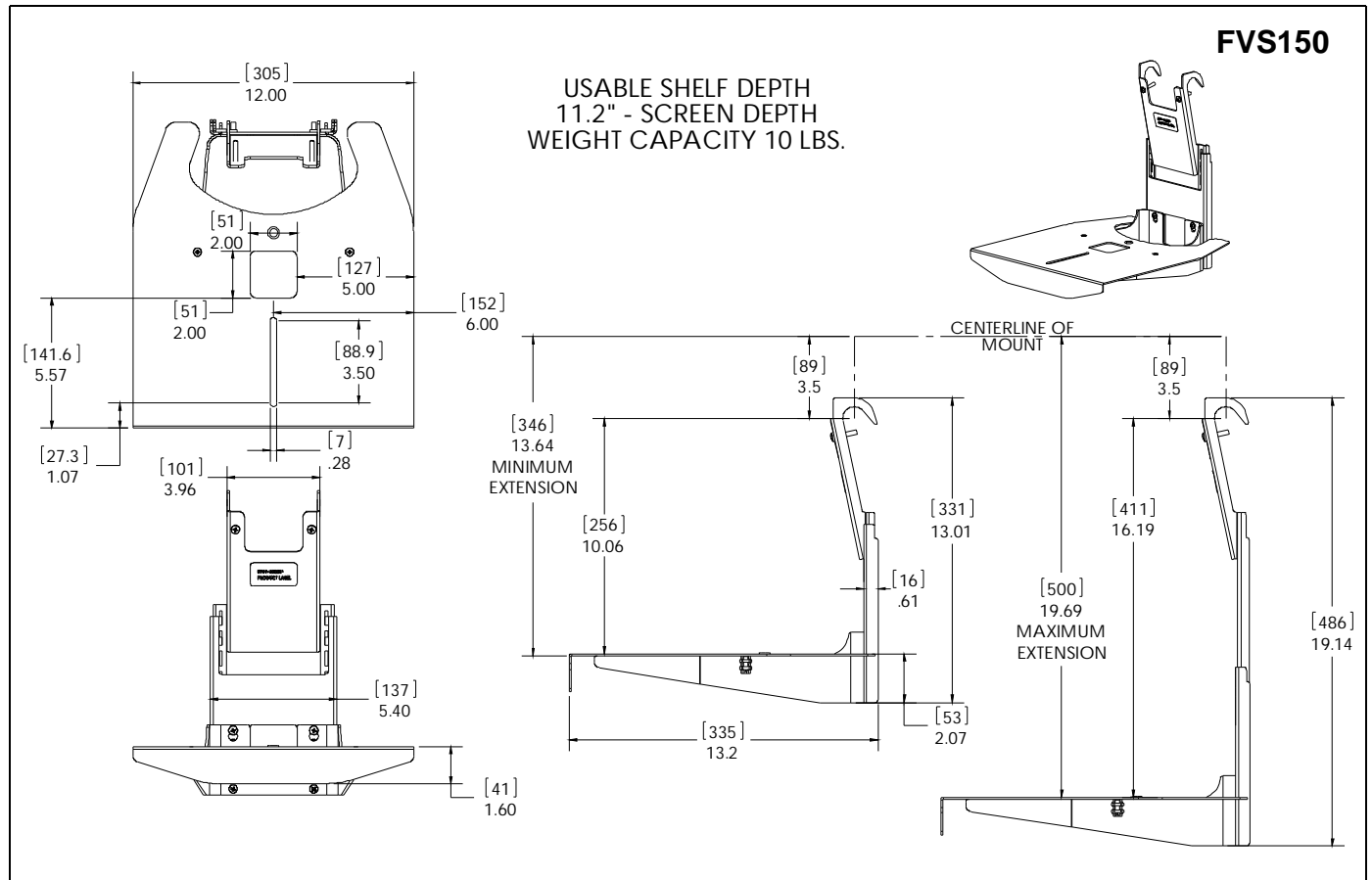
	Tighten Fastener		Pencil Mark
	Apretar elemento de fijación		Marcar con lápiz
	Befestigungsteil festziehen		Stiftmarkierung
	Apertar fixador		Marcar com lápis
	Serrare il fissaggio		Segno a matita
	Bevestiging vastdraaien		Potloodmerkten
Serrez les fixations	Marquage au crayon		
	Loosen Fastener		Phillips Screwdriver
	Aflojar elemento de fijación		Destornillador Phillips
	Befestigungsteil lösen		Kreuzschlitzschraubendreher
	Desapertar fixador		Chave de fendas Phillips
	Allentare il fissaggio		Cacciavite a stella
	Bevestiging losdraaien		Kruiskopschroevendraaier
Desserrez les fixations	Tournevis à pointe cruciforme		

DIMENSIONS

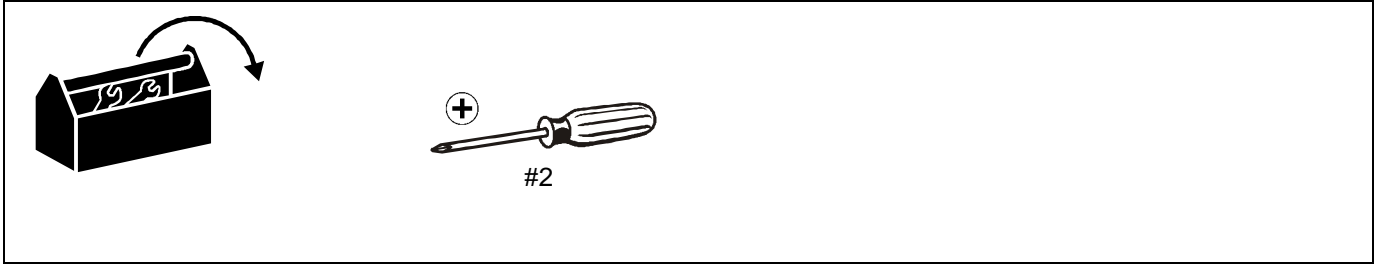
FVS100



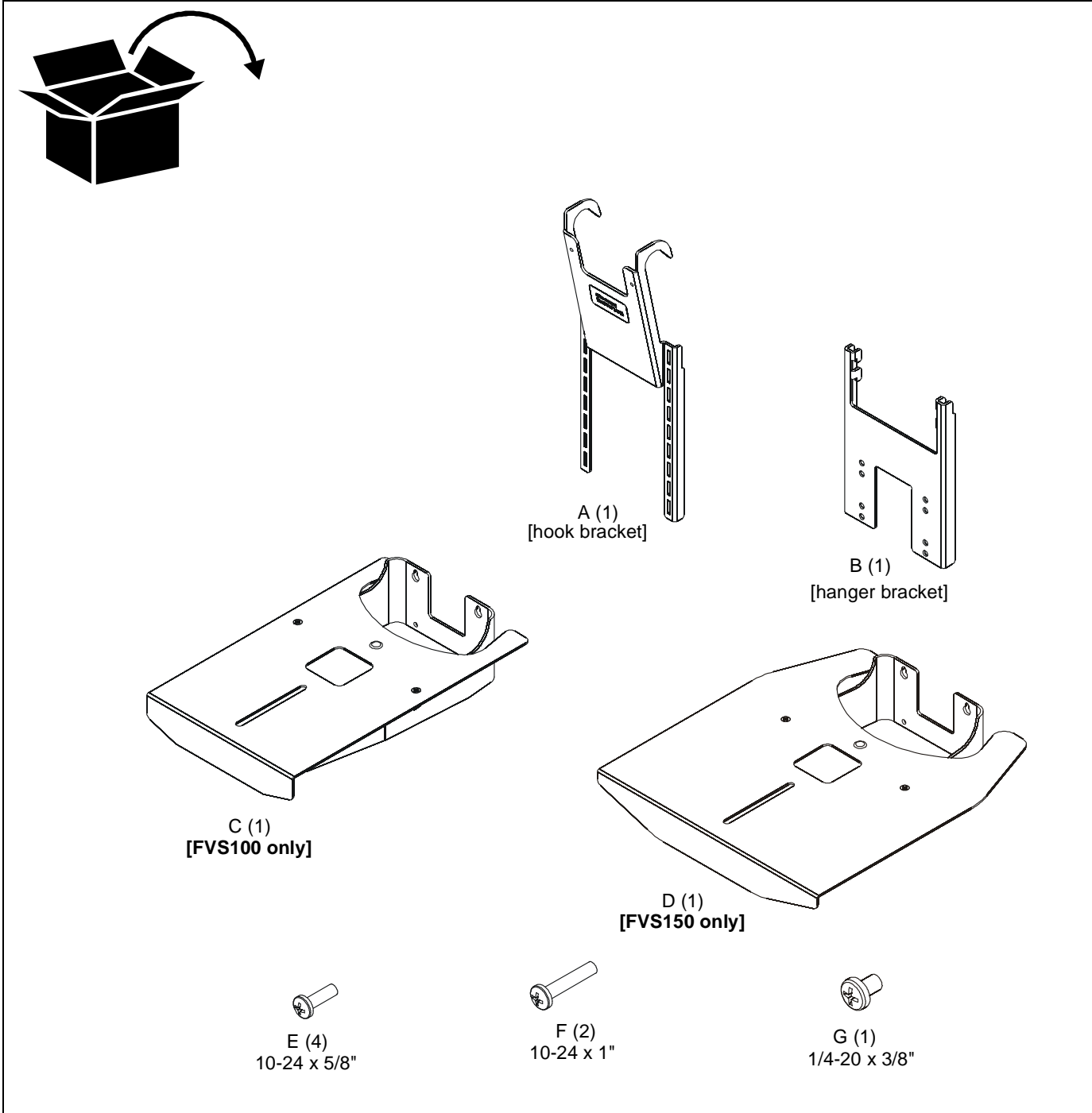
FVS150



TOOLS REQUIRED FOR INSTALLATION



PARTS



Assembly and Installation

Assembling Shelf and Brackets

1. Attach lower shelf (C or D) to hanger bracket (B) using four 10-24 x 5/8" Phillips pan head screws (E). (See Figure 1)

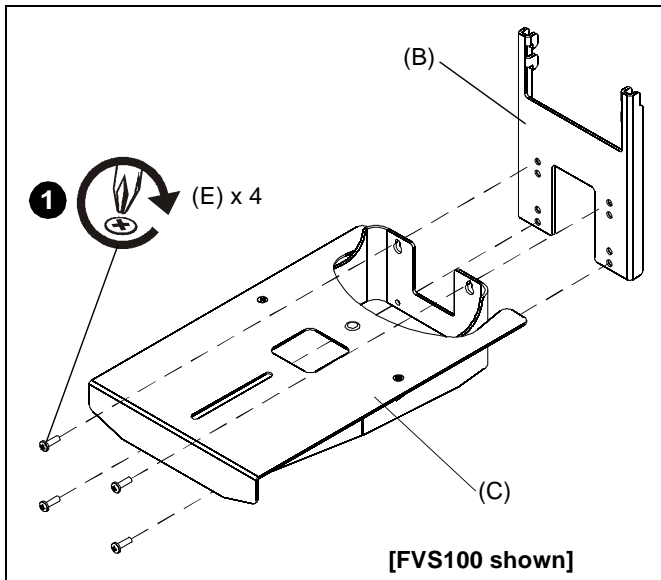


Figure 1

Attaching to Wall Mount

NOTE: The FVS100/FVS150 may be attached to the wall mount with the display already in place, or with the display removed. Proceed to either **Installing to Wall Mount with Display Attached** or **Installing to Wall Mount with Display Removed** section.

Installing to Wall Mount with Display Attached

1. Pull out bottom of display.
2. From below and behind the display, raise and hang hook bracket (A) onto lower wall mount rail. (See Figure 2)

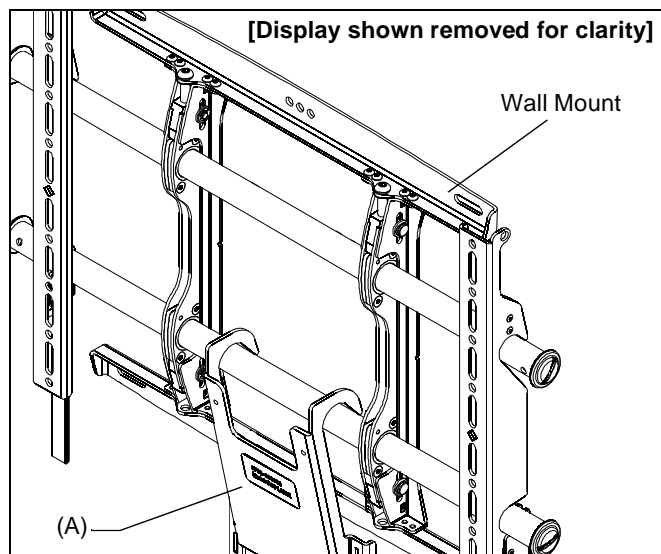


Figure 2

3. Hang shelf with hanger bracket onto the hook bracket (A). (See Figure 3)

NOTE: The shelf with hanger bracket may be adjusted up or down on the hook bracket (A) in 7/8" increments for a total height adjustment of up to 6.05".

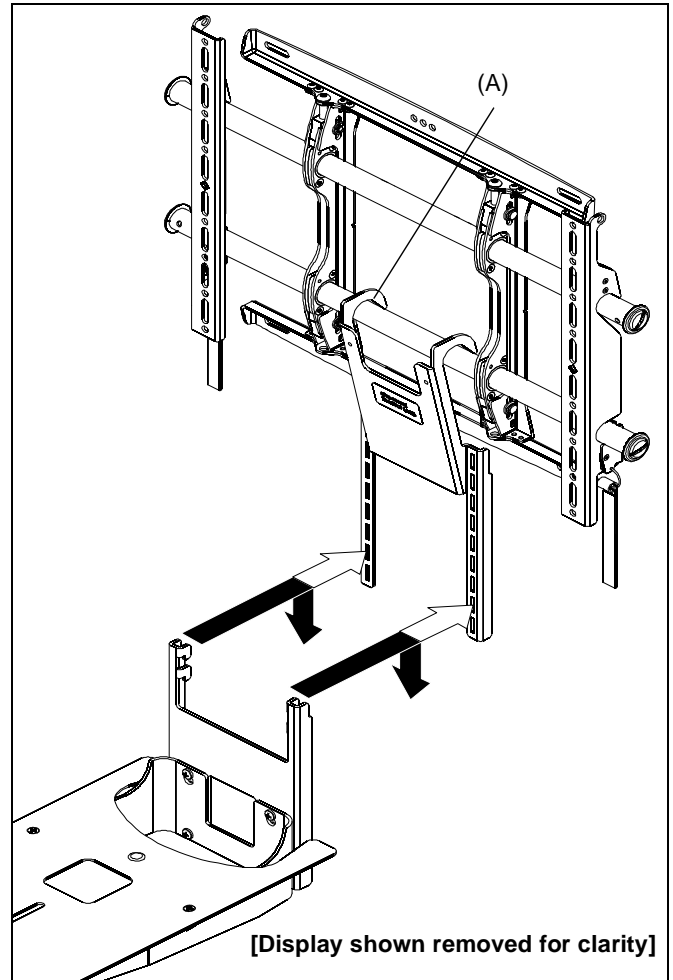


Figure 3

NOTE: Proceed to **Installing Camera** section.

Installing to Wall Mount with Display Removed

NOTE: Installing the FVS100/FVS150 to a wall mount where a display has been removed allows use of security screws to prevent the FVS100/FVS150 from being removed.

1. Hang shelf with hanger bracket onto the hook bracket (A). (See Figure 4)

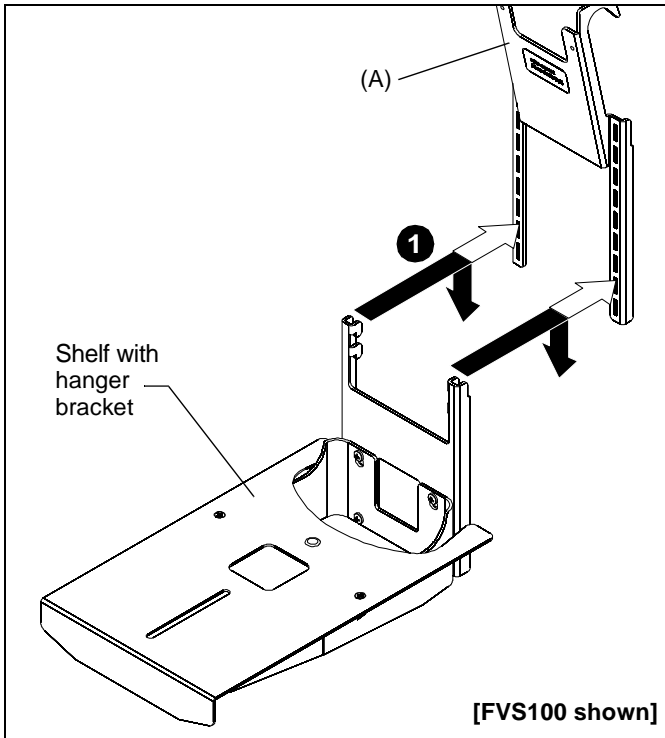


Figure 4

NOTE: The shelf with hanger bracket may be adjusted up or down on the hook bracket (A) in 7/8" increments for a total height adjustment of up to 6.05".

2. Remove display if already attached to wall mount following instructions included with the wall mount.
3. Hang FVS100/FVS150 on lower wall mount rail.
4. Adjust location and secure to wall mount rail using two 10-24 x 1" Phillips pan head screws (F). (See Figure 5)

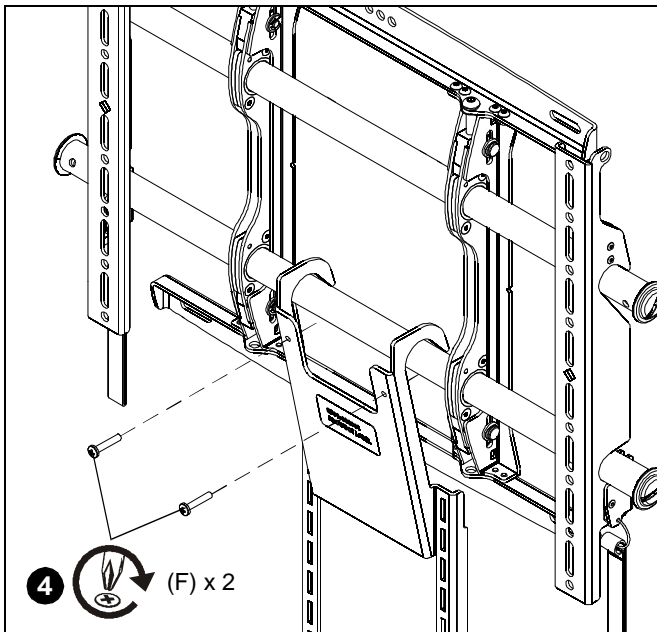


Figure 5

5. Hang display on wall mount following installation instructions included with the wall mounts.

Installing Camera



WARNING: Exceeding the weight capacity can result in serious personal injury or damage to equipment! It is the installer's responsibility to make sure the combined weight of all components located on the FVS100/FVS150 does not exceed 10 lbs (4.5 kg).

NOTE: Mounting options will vary depending on the type of camera being mounted.

1. Install 1/4-20 x 3/8" Phillips pan machine screw (G) through mounting slot and into hole on bottom of camera. (See Figure 6)
2. Route cable from camera. (See Figure 6)

NOTE: Cable may be routed using the cable clip on the underside of the shelf. Secure the cable at the cable clip with a wire tie (not included). (See Figure 6)

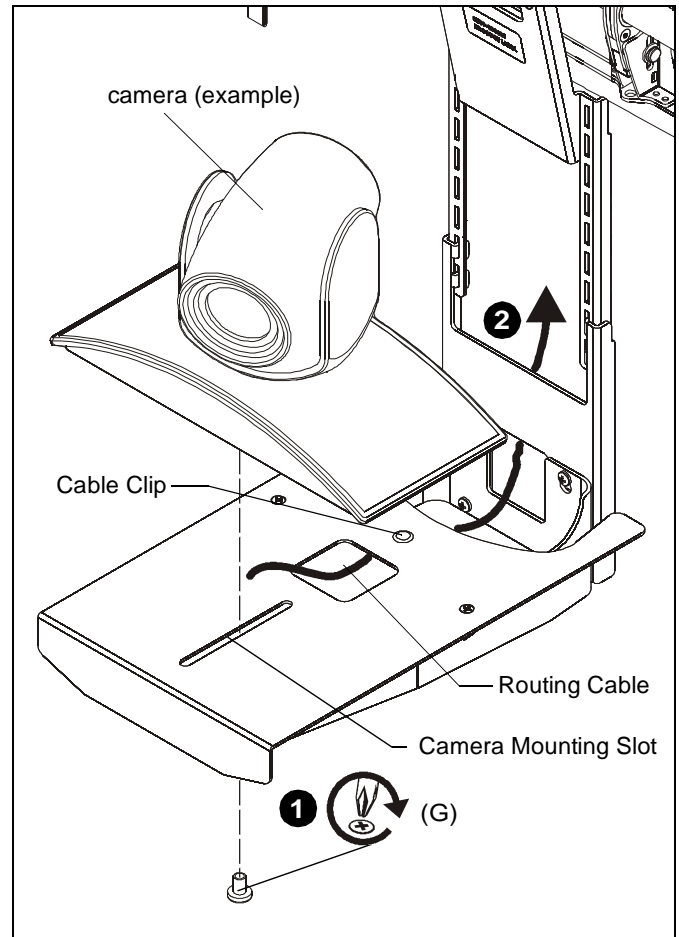


Figure 6

NOTE: It is also acceptable to mount the camera directly to the shelf without any screws or ties.



Our Mounts. **Your Vision.**

Chief Manufacturing, a products division
of Milestone AV Technologies

8807-000081 Rev02
©2012 Milestone AV Technologies,
a Duchossois Group Company
www.chiefmfg.com
07/12

USA/International	A 6436 City West Parkway, Eden Prairie, MN 55344 P 800.582.6480 / 952.225.6000 F 877.894.6918 / 952.894.6918
Europe	A Franklinstraat 14, 6003 DK Weert, Netherlands P +31 (0) 495 580 852 F +31 (0) 495 580 845
Asia Pacific	A Office No. 1 on 12/F, Shatin Galleria 18-24 Shan Mei Street Fotan, Shatin, Hong Kong P 852 2145 4099 F 852 2145 4477

